



**Digital Transistors (built-in resistors)**

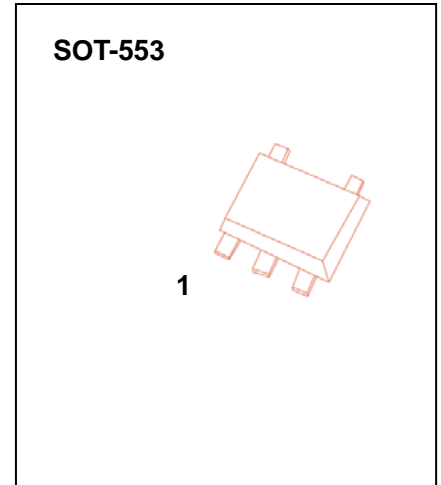
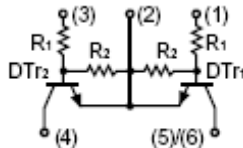
**EMG8** dual digital transistors (NPN+NPN)

**FEATURES**

- Two DTC143Z chips in a package
- Mounting cost and area can be cut in half

**Marking: G8**

**Equivalent circuit:**



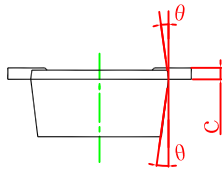
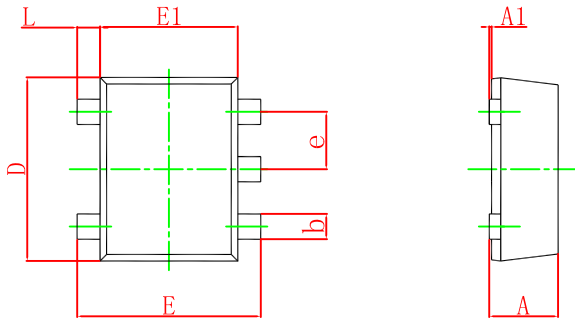
**Absolute maximum ratings (T<sub>a</sub>=25°C)**

Symbol	Parameter	Value	Units
V <sub>CC</sub>	Supply Voltage	50	V
V <sub>i</sub>	Input voltage	-5~30	V
I <sub>o</sub>	Output current	100	mA
P <sub>D</sub>	Power dissipation	150	mW
T <sub>J</sub>	Junction temperature	150	°C
T <sub>stg</sub>	Storage temperature	-55~+150	°C

**Electrical Characteristics (T<sub>a</sub>=25°C)**

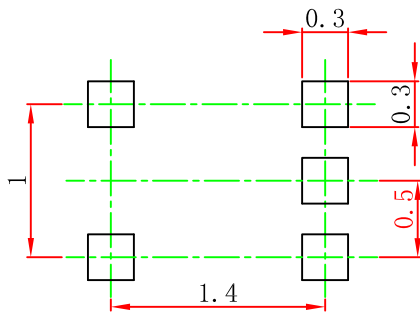
Parameter	Symbol	Test conditions	Min	Typ	Max	Unit
Input turn-on voltage	V <sub>i(on)</sub>	V <sub>CC</sub> =0.3V, I <sub>o</sub> =5mA			1.3	V
Input cut-off voltage	V <sub>i(off)</sub>	V <sub>CC</sub> =5V, I <sub>o</sub> =100μA	0.5			V
Output voltage	V <sub>O(on)</sub>	I <sub>o</sub> =5mA, I <sub>i</sub> =0.25mA			0.3	V
Input cut-off current	I <sub>i</sub>	V <sub>i</sub> =5V			1.8	mA
Output cut-off current	I <sub>O(off)</sub>	V <sub>CC</sub> =50V, V <sub>i</sub> =0			0.5	μA
DC current gain	G <sub>i</sub>	V <sub>O</sub> =5V, I <sub>o</sub> =10mA	80			
Transition frequency	f <sub>T</sub>	V <sub>CE</sub> =10V, I <sub>c</sub> =5mA, f=100MHz		250		MHz
Input resistance	R <sub>1</sub>		3.29		6.11	KΩ
Resistance ratio	R <sub>2</sub> /R <sub>1</sub>		8		12	

## SOT-553 Package Outline Dimensions



Symbol	Dimensions In Millimeters		Dimensions In Inches	
	Min.	Max.	Min.	Max.
A	0.525	0.600	0.021	0.024
A1	0.000	0.050	0.000	0.002
e	0.450	0.550	0.018	0.022
c	0.090	0.160	0.004	0.006
D	1.500	1.700	0.059	0.067
b	0.170	0.270	0.007	0.011
E1	1.100	1.300	0.043	0.051
E	1.500	1.700	0.059	0.067
L	0.100	0.300	0.004	0.012
θ	7° REF.		7° REF.	

## SOT-553 Suggested Pad Layout



### Note:

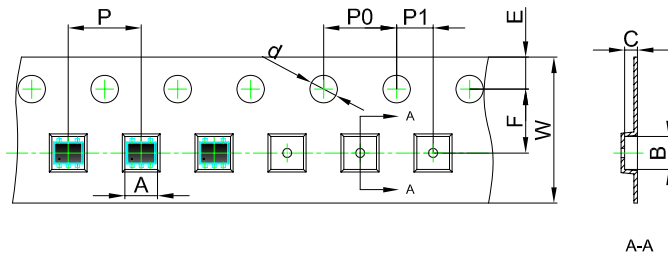
1. Controlling dimension: in millimeters.
2. General tolerance:  $\pm 0.05\text{mm}$ .
3. The pad layout is for reference purposes only.

## NOTICE

JCET reserve the right to make modifications, enhancements, improvements, corrections or other changes without further notice to any product herein. JCET does not assume any liability arising out of the application or use of any product described herein.

# SOT-553 Tape and reel

## SOT-553 Embossed Carrier Tape

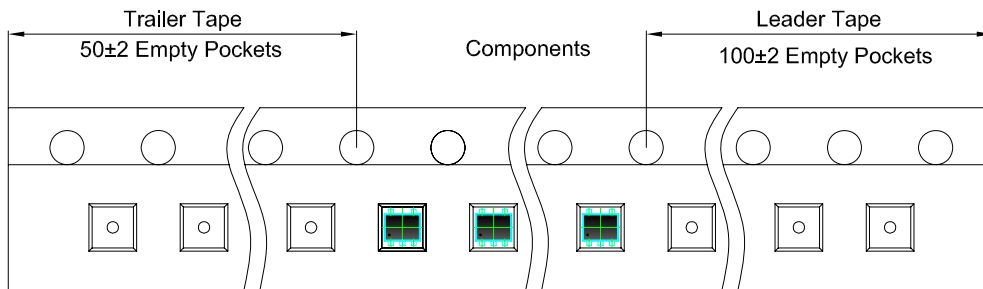


### Packaging Description:

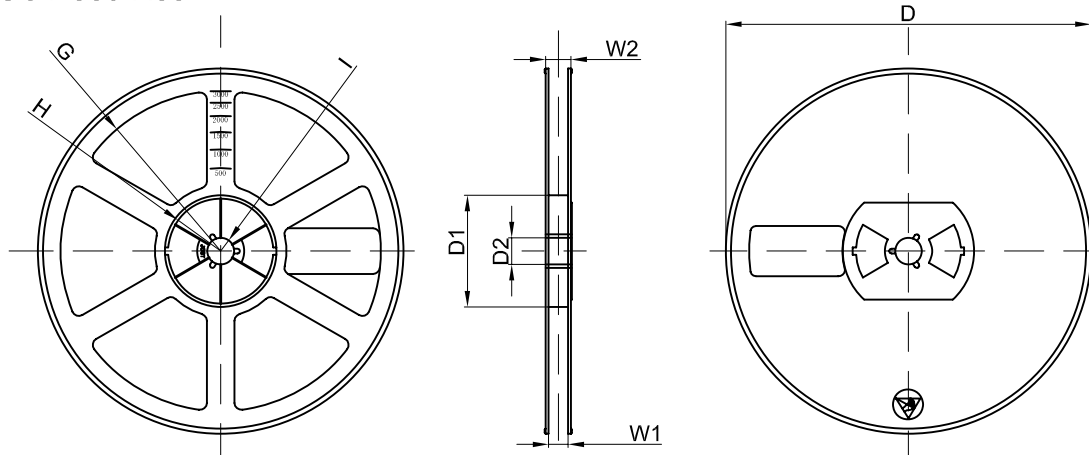
SOT-553 parts are shipped in tape. The carrier tape is made from a dissipative (carbon filled) polycarbonate resin. The cover tape is a multilayer film (Heat Activated Adhesive in nature) primarily composed of polyester film, adhesive layer, sealant, and anti-static sprayed agent. These reeled parts in standard option are shipped with 3,000 units per 7" or 17.8cm diameter reel. The reels are clear in color and is made of polystyrene plastic (anti-static coated).

Dimensions are in millimeter										
Pkg type	A	B	C	d	E	F	P0	P	P1	W
SOT-553	1.78	1.78	0.69	Ø1.50	1.75	3.50	4.00	4.00	2.00	8.00
(Tolerance)	+/-0.1	+/-0.1	+/-0.1	+/-0.1	+/-0.1	+/-0.1	+/-0.1	+/-0.1	+/-0.1	+/-0.1

## SOT-553 Tape Leader and Trailer



## SOT-553 Reel



Dimensions are in millimeter								
Reel Option	D	D1	D2	G	H	I	W1	W2
7" Dia	Ø178.00	54.40	13.00	R78.00	R25.60	R6.50	9.50	12.30
Tolerance	+/-2	+/-1	+/-1	+/-1	+/-1	+/-1	+/-1	+/-1

REEL	Reel Size	Box	Box Size(mm)	Carton	Carton Size(mm)	G.W.(kg)
3000 pcs	7 inch	45,000 pcs	203×203×195	180,000 pcs	438×438×220	